

FORD:
2004-2005 Escape
2005 Escape Hybrid

MERCURY:
2005 Mariner

ISSUE

Some 2004-2005 vehicles may exhibit the headliner sagging around the rear hatch perimeter edge.

ACTION

Adhere the headliner to the underside of the roof panel. Refer to the following Service Procedure.

SERVICE PROCEDURE

1. Remove the perimeter seal near the sagging edge (Figure 1).

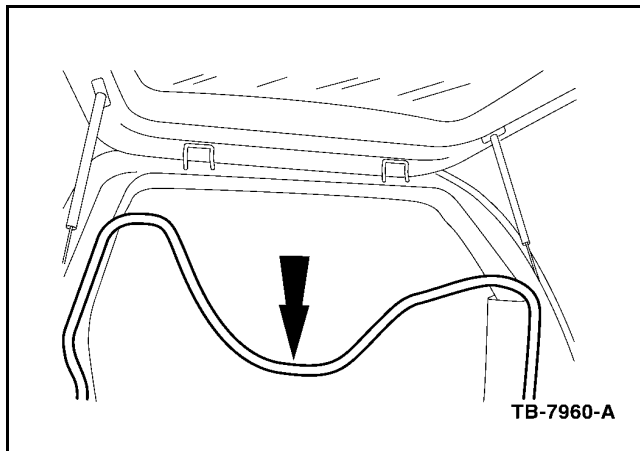


Figure 1 - Article 05-8-3

2. Without removing the headliner push pins, pull the headliner down far enough to scuff/sand the back side of the headliner and the underside of the roof panel.
3. Prepare the cartridge of Motorcraft Plastic Bonding Adhesive (TA-9), and apply the adhesive to the back side of the headliner (Figure 2).

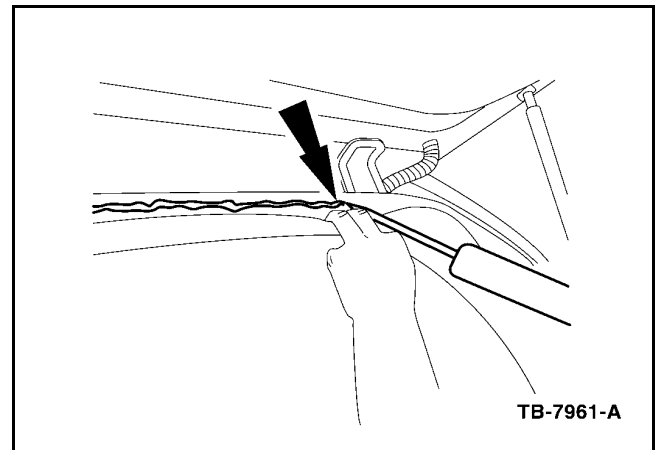


Figure 2 - Article 05-8-3

4. Push the headliner back into its proper position. Clamp in place using a flat piece of metal or wood to keep the headliner flush against the underside of the roof panel (Figure 3). Allow the adhesive to cure for 45 minutes.

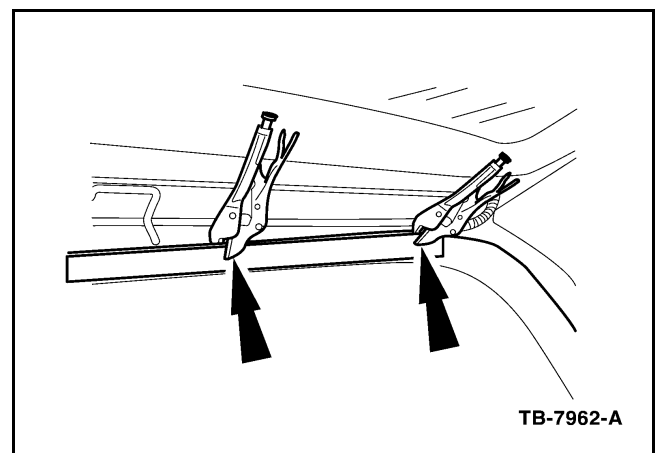


Figure 3 - Article 05-8-3

5. Remove clamps and reinstall the perimeter seal.

PART NUMBER	PART NAME
TA-9	Motorcraft Plastic Bonding Adhesive

NOTE: The information in Technical Service Bulletins is intended for use by trained, professional technicians with the knowledge, tools, and equipment to do the job properly and safely. It informs these technicians of conditions that may occur on some vehicles, or provides information that could assist in proper vehicle service. The procedures should not be performed by "do-it-yourselfers". Do not assume that a condition described affects your car or truck. Contact a Ford, Lincoln, or Mercury dealership to determine whether the Bulletin applies to your vehicle. Warranty Policy and Extended Service Plan documentation determine Warranty and/or Extended Service Plan coverage unless stated otherwise in the TSB article. The information in this Technical Service Bulletin (TSB) was current at the time of printing. Ford Motor Company reserves the right to supersede this information with updates. The most recent information is available through Ford Motor Company's on-line technical resources.

TSB 05-8-3 (Continued)

WARRANTY STATUS: Eligible Under Provisions Of
New Vehicle Limited
Warranty Coverage

OPERATION	DESCRIPTION	TIME
050803A	2004-2005 Escape/Escape Hybrid/Mariner Adhere The Headliner To The Underside Of The Roof Panel (Do Not Use With 51916A, 51916B, 51916BXH)	0.3 Hr.

DEALER CODING

BASIC PART NO.	CONDITION CODE
7851944	34