

## SECTION 303-01C Engine — 2.5L Hybrid

CONTENTS

PAGE

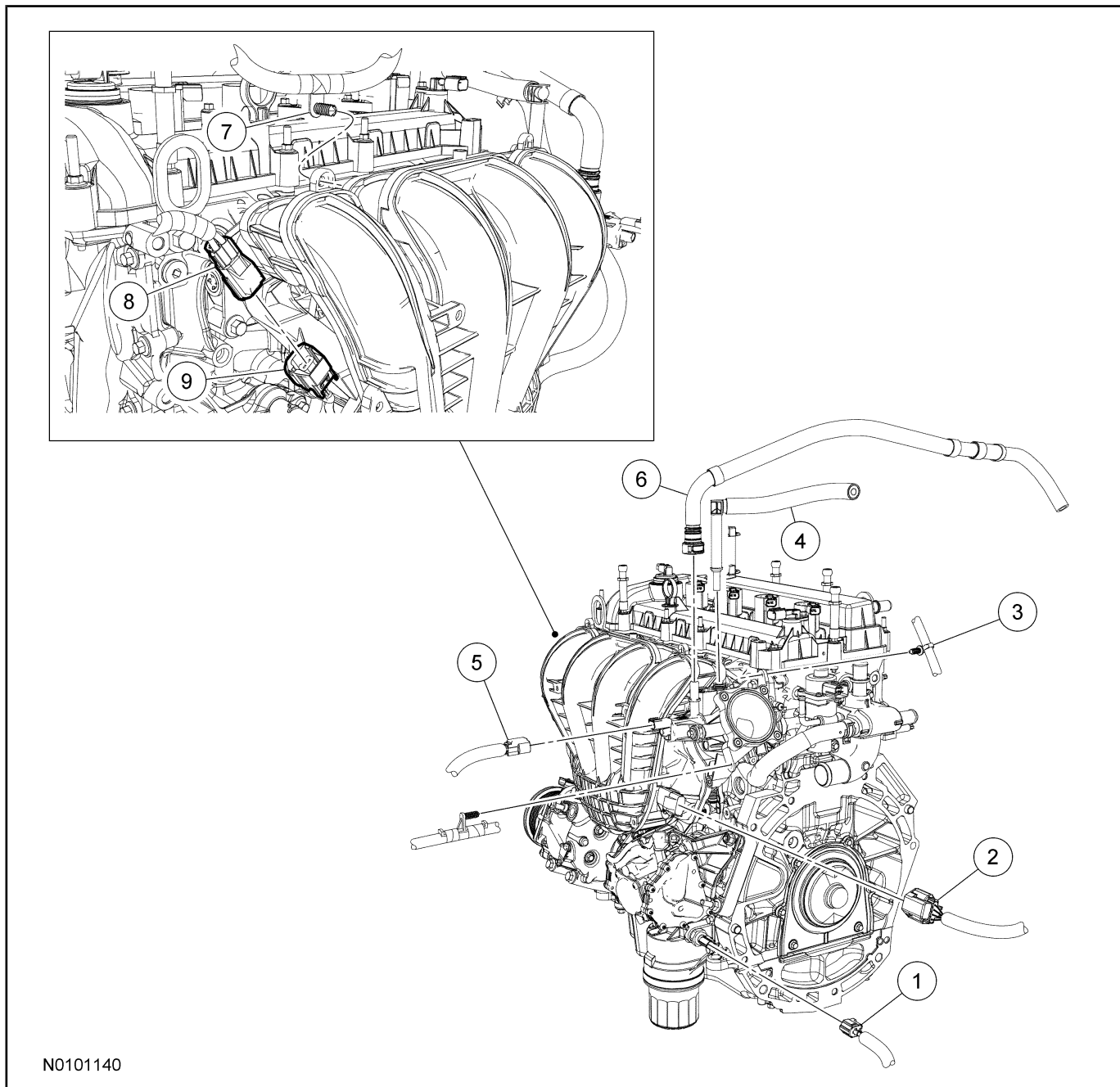
**IN-VEHICLE REPAIR**

Intake Manifold .....	303-01C-2
-----------------------	-----------

**IN-VEHICLE REPAIR**

**Intake Manifold**

**Intake Manifold (View 1 of 2)**



N0101140

Item	Part Number	Description
1	14A464	Engine Oil Pressure (EOP) switch electrical connector (part of 12A581)
2	14A464	Manifold Absolute Pressure (MAP) sensor

Item	Part Number	Description
		electrical connector (part of 12A581)
3	—	Wiring harness retainer (2 required)
4	9C482	Brake booster vacuum tube

**IN-VEHICLE REPAIR(Continued)**

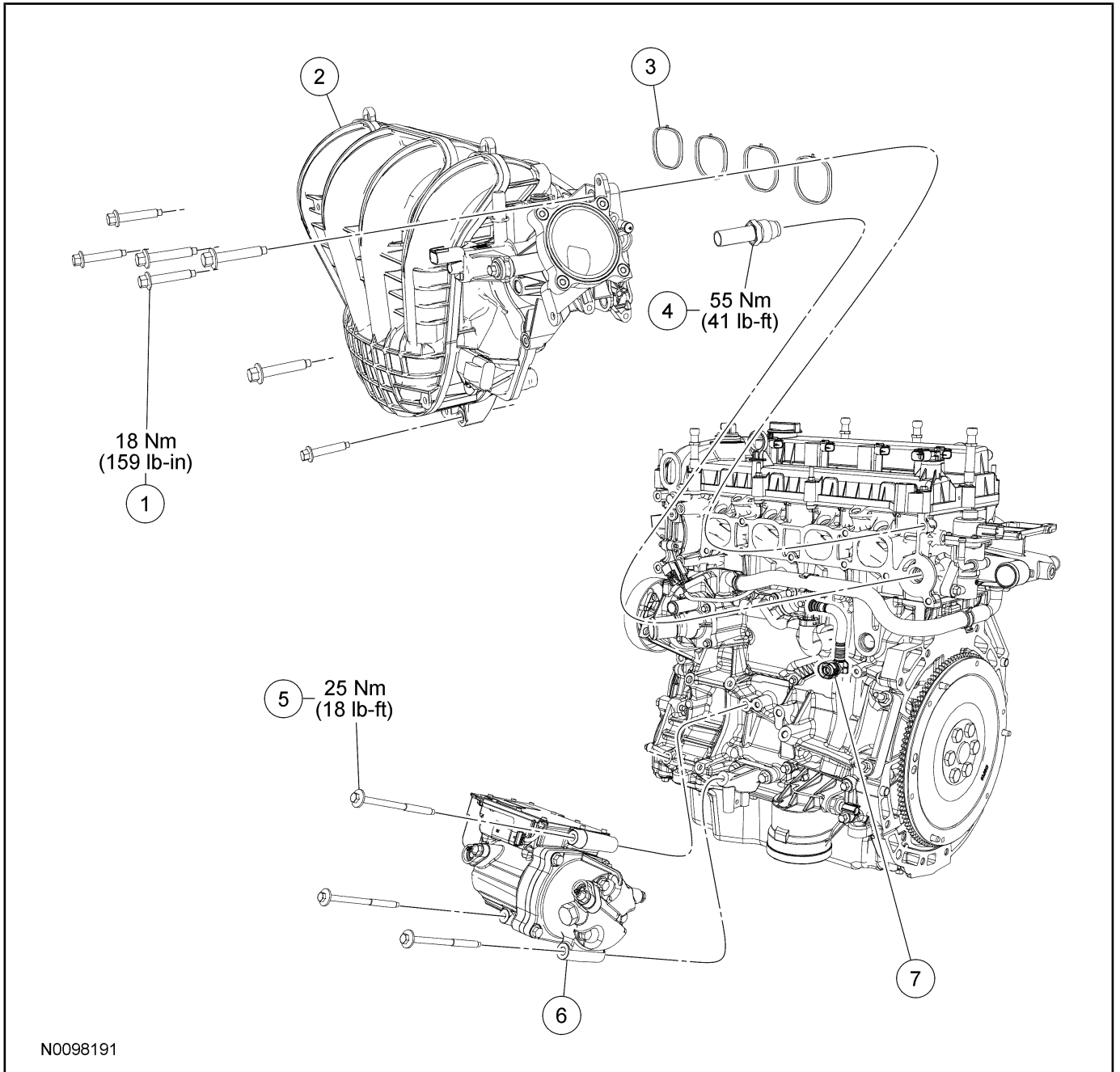
Item	Part Number	Description
5	—	Evaporative Emission (EVAP) canister purge valve electrical connector
6	6C324	EVAP tube-to-EVAP canister purge valve quick connect coupling

Item	Part Number	Description
7	—	Block heater wiring harness retainer (if equipped)
8	14A464	Knock Sensor (KS) electrical connector (male side, part of 12A581)

**IN-VEHICLE REPAIR(Continued)**

**Intake Manifold (View 2 of 2)**

Item	Part Number	Description
9	14A464	KS electrical connector (female side, part of 12A581)



Item	Part Number	Description
1	W500311	Intake manifold bolt (7 required)
2	9424	Intake manifold

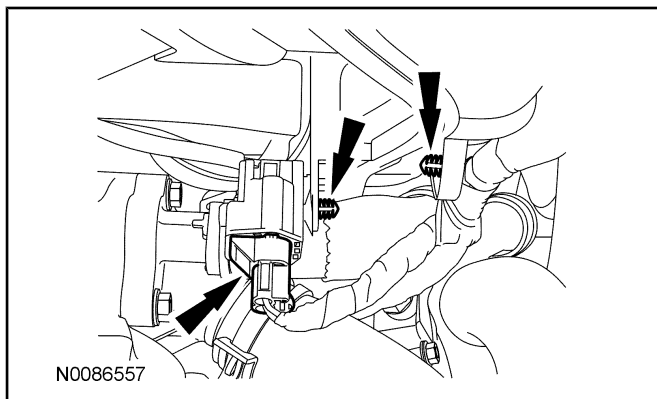
Item	Part Number	Description
3	9441	Intake manifold gasket (4 required)
4	9E470	EGR tube

## IN-VEHICLE REPAIR(Continued)

Item	Part Number	Description
5	W500326	A/C compressor bolt (3 required)
6	19703	A/C compressor
7	6758	PCV hose connector

### Removal and Installation

1. With vehicle in NEUTRAL, position it on a hoist. For additional information, refer to Section 100-02.
2. Remove the fuel rail. For additional information, refer to Section 303-04A.
3. Remove the cooling fan motor and shroud. For additional information, refer to Section 303-03B.
4. Remove the Throttle Body (TB). For additional information, refer to Section 303-04C.
5. Remove the accessory drive belt tensioner. For additional information, refer to Section 303-05C.
6. Disconnect the Engine Oil Pressure (EOP) switch electrical connector.
7. Disconnect the Manifold Absolute Pressure (MAP) sensor electrical connector.
8. Disconnect the Evaporative Emission (EVAP) canister purge valve electrical connector.
9. Disconnect the EVAP tube-to-EVAP canister purge valve quick connect coupling and the brake booster vacuum tube from the intake manifold.
10. Disconnect the Knock Sensor (KS) electrical connector and detach the 2 pin-type retainers.



11. Detach the 2 wiring retainers from the intake manifold near the TB mounting area.
12. Detach the engine wiring harness retainer from the intake manifold.

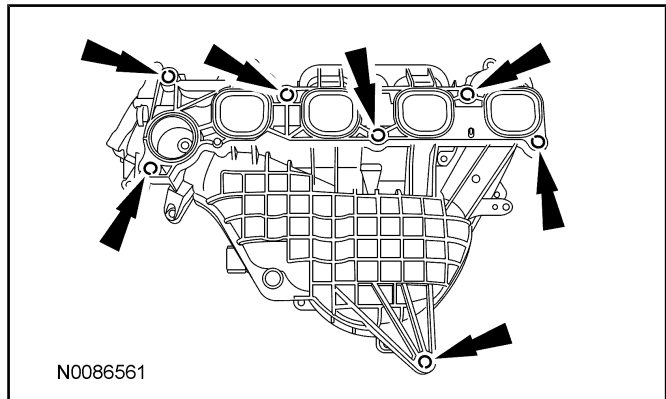
13. Remove the 3 electric A/C compressor bolts and position aside.

- To install, tighten to 25 Nm (18 lb-ft).

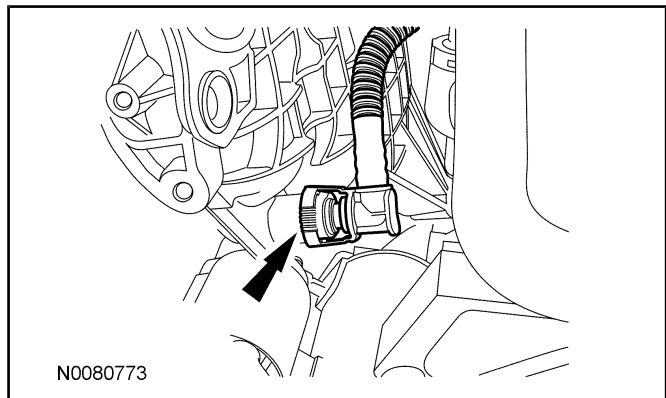
14. **NOTE:** The cylinder head side of the intake manifold is showing the location of the 7 bolts.

Remove the 7 bolts and position the intake manifold aside to access the PCV hose connector.

- To install, tighten to 18 Nm (159 lb-in).



15. Squeeze the 2 PCV hose connector tabs and disconnect the PCV hose from the intake manifold.



16. Remove the intake manifold and gaskets.
17. **NOTICE:** If the engine is repaired or replaced because of upper engine failure, typically including valve or piston damage, check the intake manifold for metal debris. If metal debris is found, install a new intake manifold. Failure to follow these instructions can result in engine damage.

To install, reverse the removal procedure.

- Inspect and install new intake manifold gaskets if necessary.