

SECTION 303-08C Engine Emission Control — Hybrid

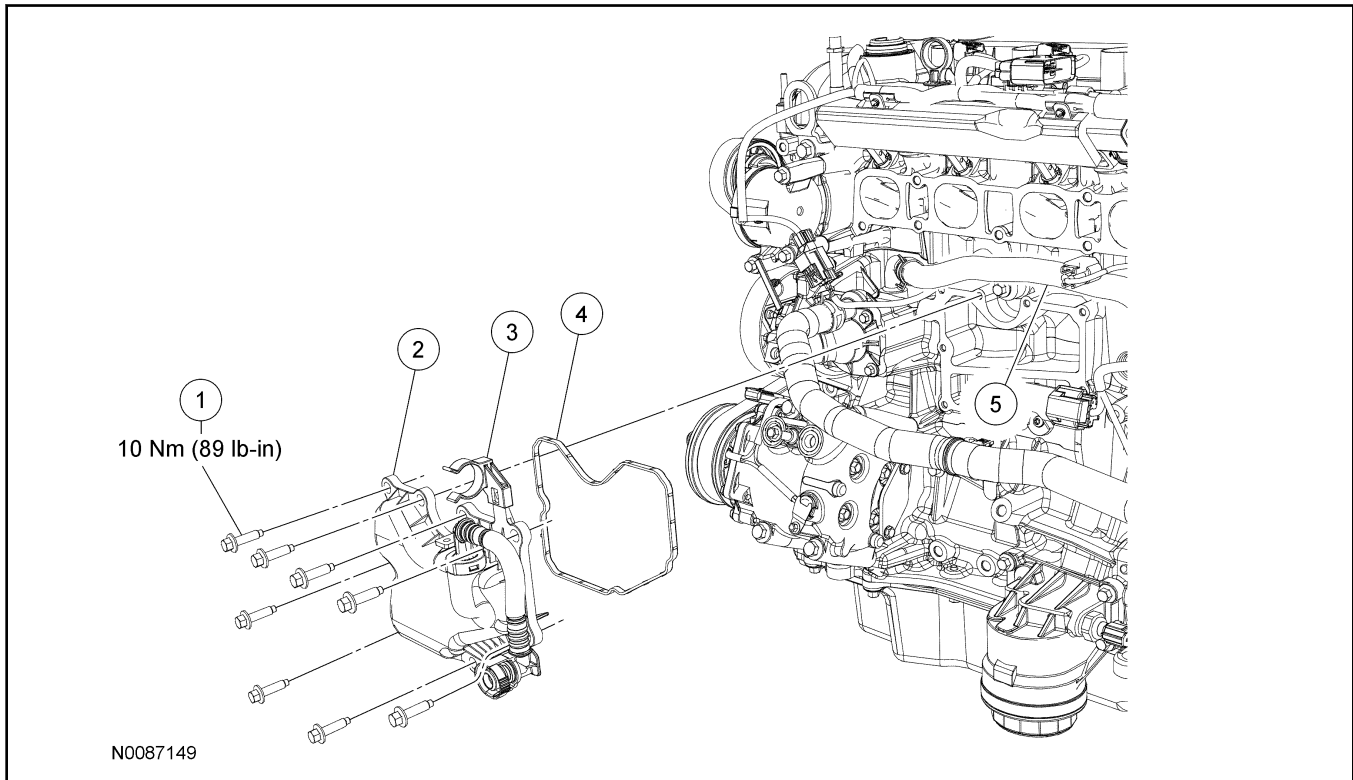
CONTENTS

PAGE

| | |
|------------------------------------|-----------|
| Crankcase Vent Oil Separator | 303-08C-2 |
|------------------------------------|-----------|

Crankcase Vent Oil Separator

Removal and Installation



| Item | Part Number | Description |
|------|-------------|--|
| 1 | W500214 | Crankcase vent oil separator bolt (8 required) |
| 2 | 6A785 | Crankcase vent oil separator |
| 3 | — | Coolant bypass hose clip (part of 6A785) |
| 4 | 6B752 | Crankcase vent oil separator gasket |
| 5 | 8548 | Coolant bypass hose |

1. Remove the intake manifold. For additional information, refer to Section 303-01C.
2. Release the coolant bypass hose from the clip.
3. Remove the 8 bolts, the crankcase vent oil separator and gasket.
 - To install, tighten to 10 Nm (89 lb-in).
4. To install, reverse the removal procedure.
 - Clean and inspect the crankcase oil vent separator gasket and replace if necessary.