

SECTION 303-08C Engine Emission Control — Hybrid

CONTENTS

PAGE

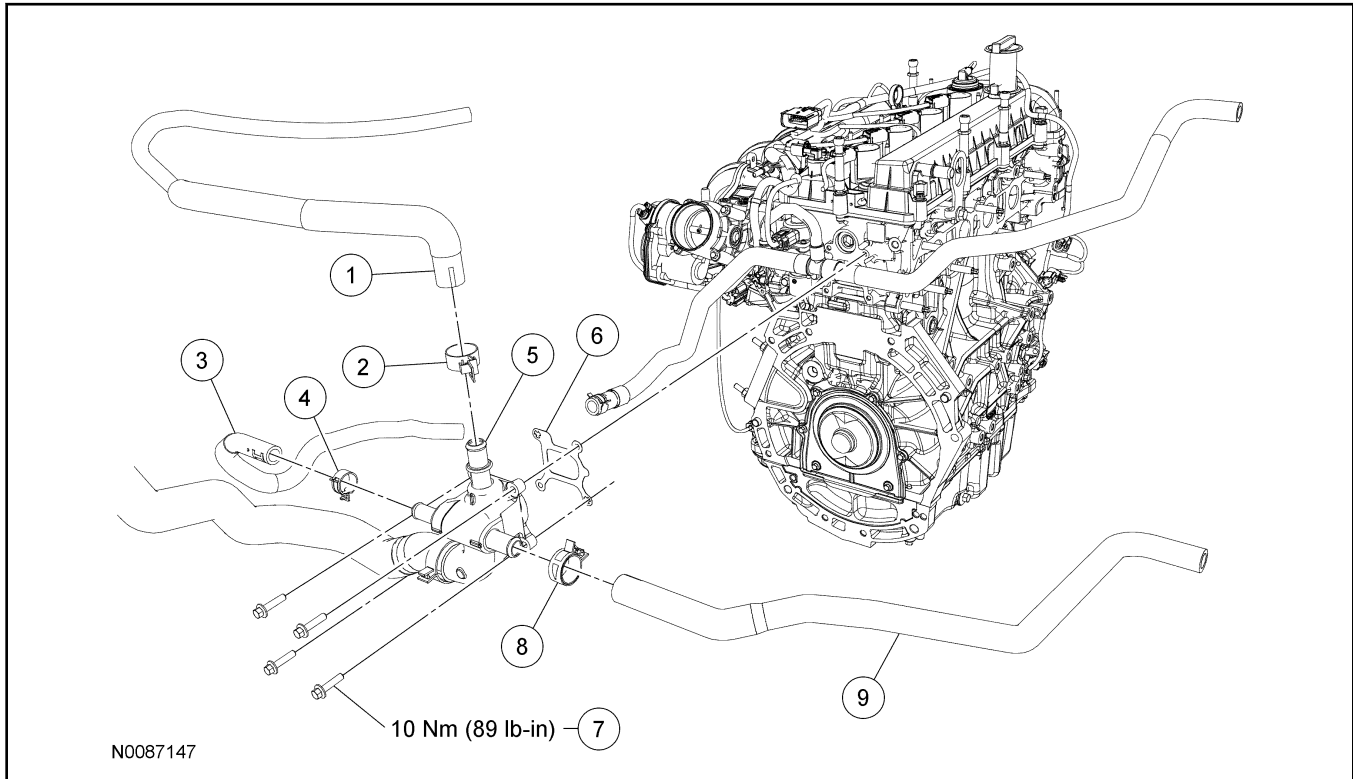
Exhaust Gas Recirculation (EGR) Valve	303-08C-2
---	-----------

Exhaust Gas Recirculation (EGR) Valve

Material

Item	Specification
Motorcraft® Metal Surface Prep ZC-31-A	—

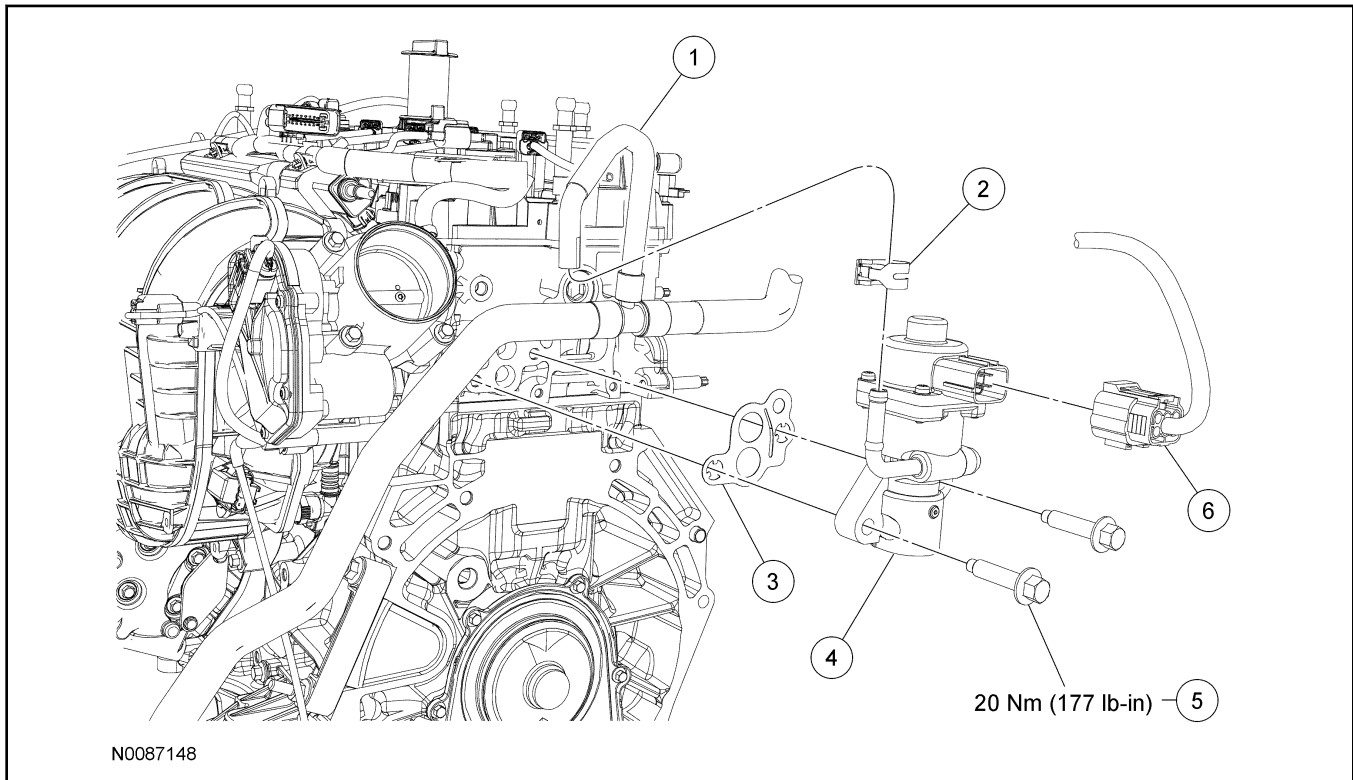
Coolant Outlet



Item	Part Number	Description
1	8260	Upper radiator hose
2	W527212	Upper radiator hose clamp
3	8A582	Coolant bypass hose
4	W525958	Coolant bypass hose clamp
5	8K556	Coolant outlet
6	8255	Coolant outlet gasket
7	W500015	Coolant outlet bolt (4 required)
8	W527362	Heater hose clamp
9	18K580	Heater hose

(Continued)

EGR Valve



Item	Part Number	Description
1	—	EGR valve coolant hose (part of 18C266)
2	W527382	EGR valve coolant hose clamp
3	9D476	EGR valve gasket
4	9D475	EGR valve
5	W500225	EGR valve bolt (2 required)
6	14A464	EGR valve electrical connector

Removal and Installation

1. Drain the cooling system. For additional information, refer to Section 303-03B.
2. Remove the Air Cleaner (ACL) outlet pipe. For additional information, refer to Section 303-12C.
3. Release the clamp and remove the upper radiator hose from the coolant outlet.
4. Release the clamp and remove the coolant bypass hose from the coolant outlet.
5. Release the clamp and remove the heater hose from the coolant outlet.
6. Remove the 4 bolts and the coolant outlet and gasket.
 - To install, tighten to 10 Nm (89 lb-in).
7. Disconnect the EGR valve electrical connector.
8. Release the clamp and remove the coolant hose from the EGR valve.
9. Remove the 2 bolts and the EGR valve.
 - To install, tighten to 20 Nm (177 lb-in).
10. **NOTICE:**
Do not use metal scrapers, wire brushes, power abrasive discs or other abrasive means to clean the sealing surfaces. These tools cause scratches and gouges that make leak paths. Use a plastic scraping tool to remove all traces of the exhaust gas recirculation (EGR) valve gasket.

NOTE:

If there is no residual gasket material present, metal surface prep can be used to clean and prepare the surfaces

(Continued)**NOTE:**

Do not reuse the EGR valve gasket.

Remove and discard the EGR valve gasket.

- Clean and inspect the EGR gasket mating surfaces.

11. **NOTE:**

Install a new EGR valve and coolant outlet gaskets.

To install, reverse the removal procedure.

12. Fill and bleed the cooling system. For additional information, refer to Section 303-03B.