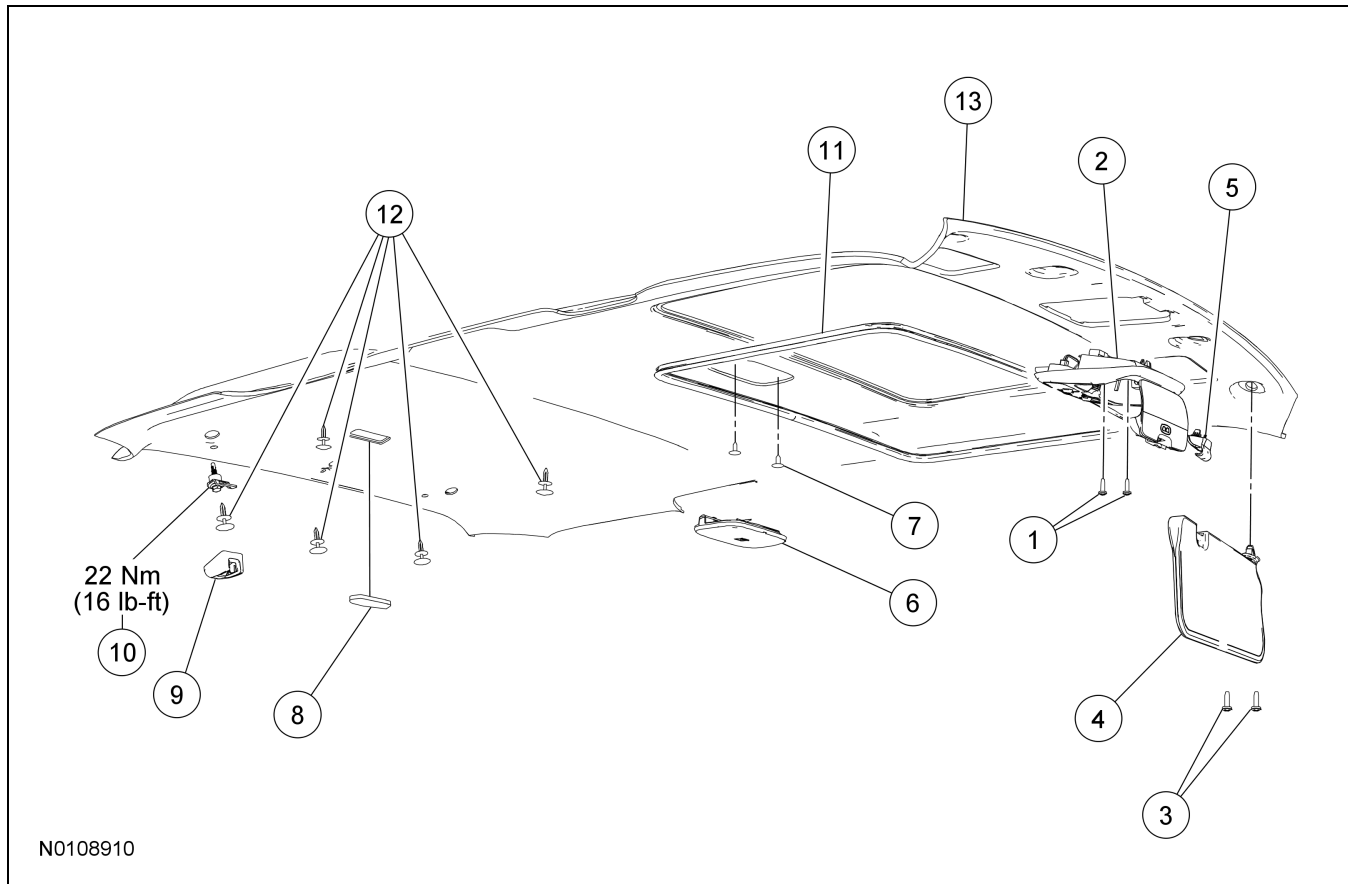


## REMOVAL AND INSTALLATION

### Headliner



Item	Part Number	Description
1	W505043	Overhead console screws (if equipped) (2 required)
2	519A58	Overhead console (if equipped)
3	N505003	Sun visor screws (2 screws)
4	04101 LH/ 04100 RH	Sun visor
5	04132	Sun visor clip
6	13D76A	Interior lamp
7	W715089	Interior lamp pushpin (2 required)
8	13776	Cargo lamp
9	616B00	Child seat tether anchor cover (3 required)
10	613E72	Child seat tether anchor bolt (3 required)
11	—	Headliner trim ring (if equipped)
12	W709343	Pin-type retainers (5 required)

(Continued)

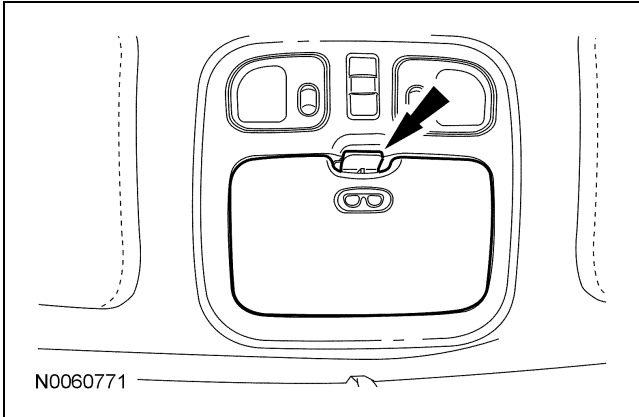
Item	Part Number	Description
13	51968	Headliner

### Removal and Installation

1. Remove the LH and RH A-pillar trim panels. For additional information, refer to A-Pillar Trim Panel in this section.
2. Remove the LH and RH B-pillar trim panels. For additional information, refer to B-Pillar Trim Panel in this section.
3. Remove the LH and RH C-pillar trim panels. For additional information, refer to C-Pillar Trim Panel in this section.
4. Remove the LH and RH D-pillar trim panels. For additional information, refer to D-Pillar Trim Panel in this section.

**REMOVAL AND INSTALLATION (Continued)**

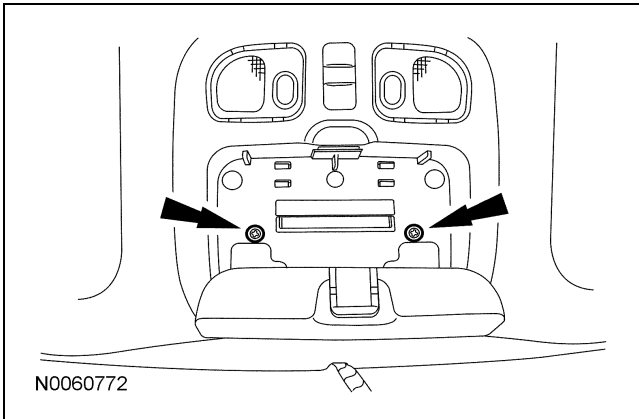
5. Open the overhead console door.



6. **NOTE:** The overhead console is also supported by a retaining clip.

Remove the 2 screws and the overhead console.

- Disconnect the electrical connector(s).

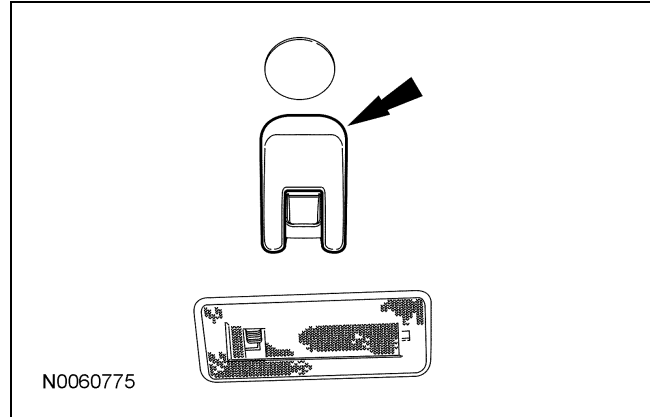


7. Remove the LH and RH sun visors.
- If equipped, disconnect the electrical connectors.
8. **NOTE:** Do not fully remove the retaining screws from the sun visor clips.
- Remove the LH and RH sun visor clips.
- Partially remove the retaining screws from the sun visor clips.
  - Pull downward on the sun visor clips to remove them from the headliner.
9. Remove the interior lamp assembly.
- Pull straight downward to release pushpins.
  - Disconnect the electrical connector.

10. Remove the cargo lamp.

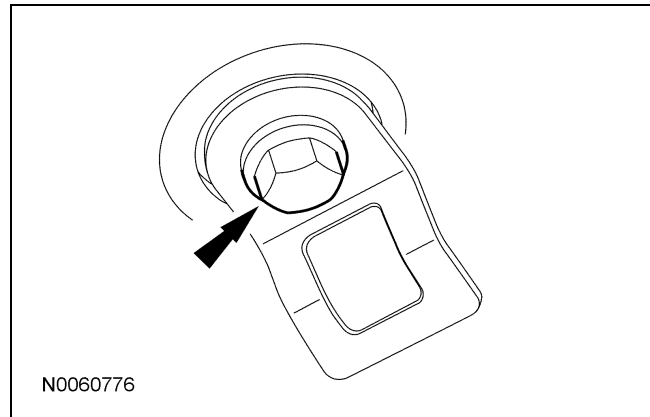
- Disconnect the electrical connector(s).

11. Remove the 3 child seat tether anchor covers.



12. Remove the 3 bolts and the child seat tether anchors.

- To install, tighten to 22 Nm (16 lb-ft).



13. **NOTE:** When installing the headliner trim ring, it should meet at the rear of the roof opening and have no gaps or overlaps.

If equipped, remove the headliner trim ring.

14. Remove the 5 headliner pin-type retainers.
15. Remove the headliner.
16. To install, reverse the removal procedure.
- Transfer parts as necessary.