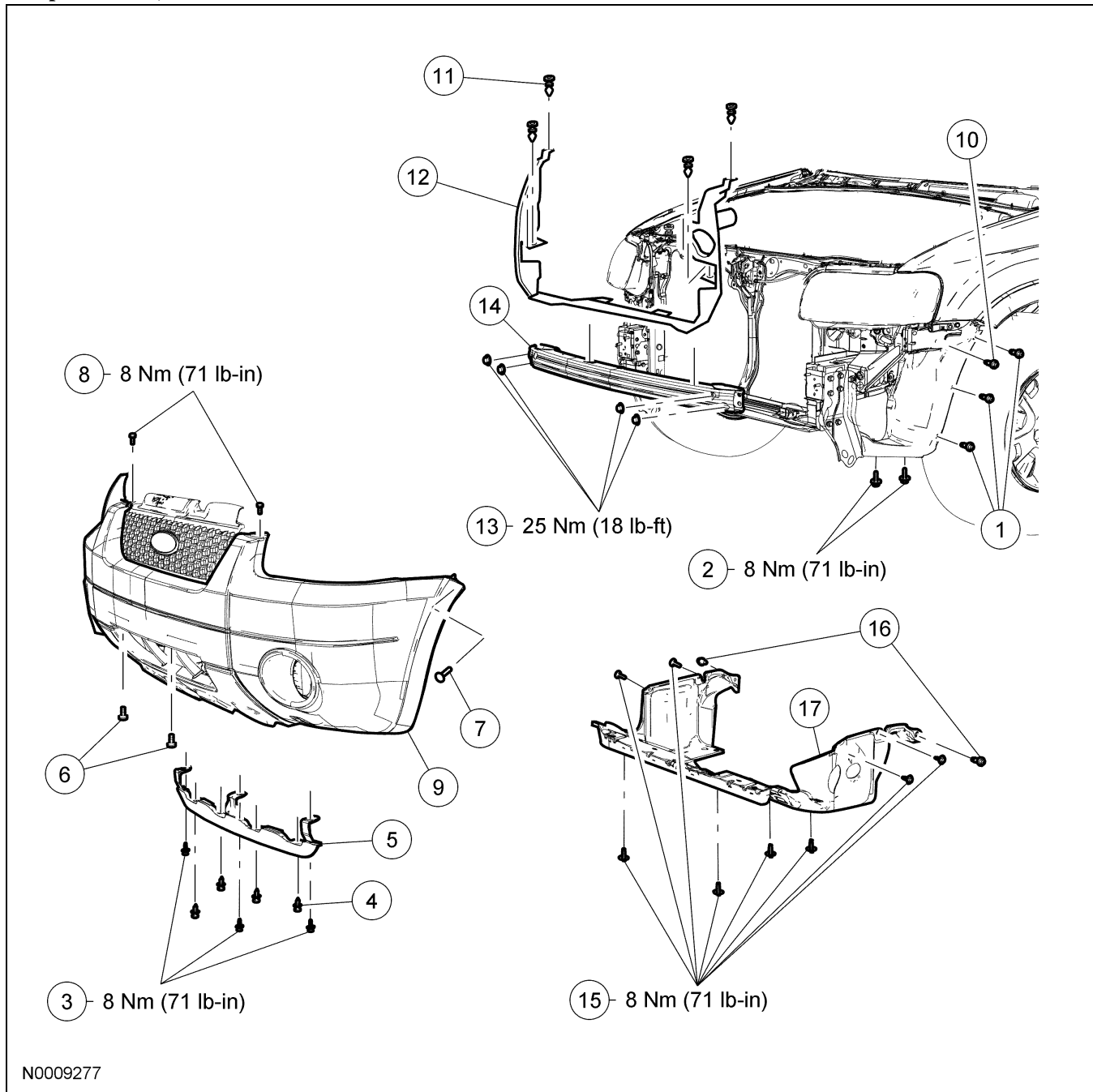


REMOVAL AND INSTALLATION

Bumper — Exploded View, Front

Escape is shown, Mariner is similar



| Item | Part Number | Description |
|------|-------------|---|
| 1 | W706713 | Pin-type retainers (6 required) |
| 2 | 14A464 | Fender splash shield bolts (4 required) |
| 3 | W707257-S | Front air deflector bolts (3 required) |

(Continued)

| Item | Part Number | Description |
|------|-------------|---|
| 4 | N807389 | Front air deflector pin-type retainer (4 required, Escape; 3 required, Mariner) |
| 5 | 16185 | Front air deflector |
| 6 | N807389-S | Front bumper cover center pin-type retainers (2 required) |

(Continued)

REMOVAL AND INSTALLATION (Continued)

| Item | Part Number | Description |
|------|-------------|--|
| 7 | N807389-S | Front bumper cover outer pin-type retainer (2 required) |
| 8 | W710794-S | Front bumper cover screws (2 required) |
| 9 | 17C831 | Front bumper cover |
| 10 | W706761-S | Front bumper cover locator rivet (2 required) |
| 11 | W701259-S | Radiator opening cover pin-type retainer (4 required, Escape only) |
| 12 | 8C299 | Radiator opening cover (Escape only) |

(Continued)

| Item | Part Number | Description |
|------|-------------------|---|
| 13 | W707144 | Front bumper nuts (4 required) |
| 14 | 17859 | Front bumper |
| 15 | W707257-S | Splash shield bolts (8 required) |
| 16 | W706713-S | Splash shield pin-type retainers (2 required) |
| 17 | 16A573/ 16A574 | Splash shield LH/RH |

1. For additional information, refer to the procedures in this section.