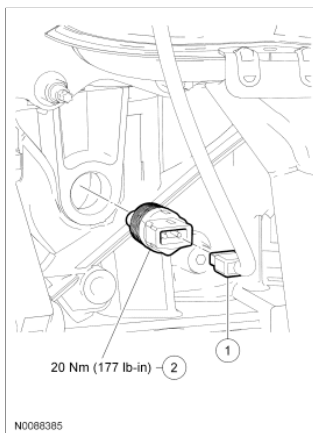
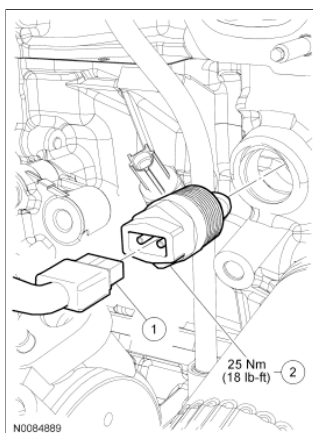


Block Heater**2.5L**

Item	Part Number	Description
1	14A199	Block heater electrical connector
2	6A051	Block heater

3.0L

Item	Part Number	Description
1	14A199	Block heater electrical connector
2	6A051	Block heater

Removal and Installation

1. With the vehicle in NEUTRAL, position it on a hoist. For additional information, refer to [Section 100-02](#).
2. Drain the cooling system. For additional information, refer to [Cooling System Draining, Filling and Bleeding](#) in this section.
3. **NOTICE:** Make sure that the block heater wiring is routed and secured away from rotating or hot components, or damage to the wiring can occur.

Disconnect the block heater electrical connector.
4. Remove the block heater.
 - To install, tighten to 20 Nm (177 lb-in) (2.5L).
 - To install, tighten to 25 Nm (18 lb-ft) (3.0L).
5. To install, reverse the removal procedure.
6. Fill and bleed the cooling system. For additional information, refer to [Cooling System Draining, Filling and Bleeding](#) in this section.